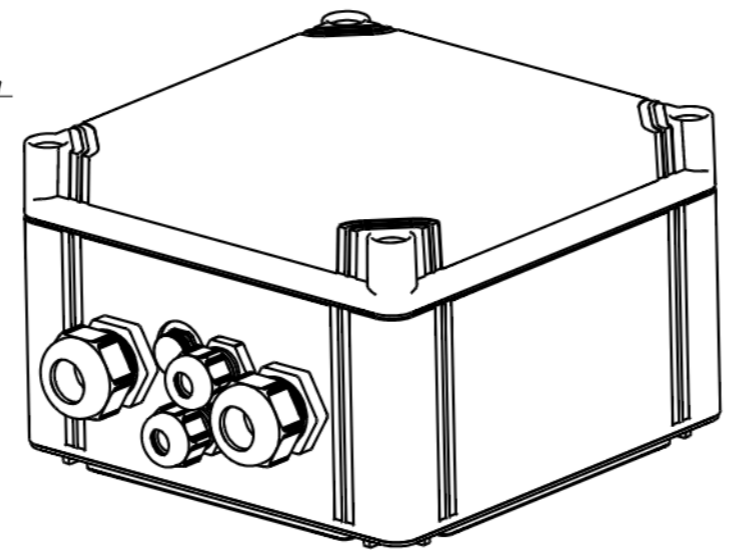
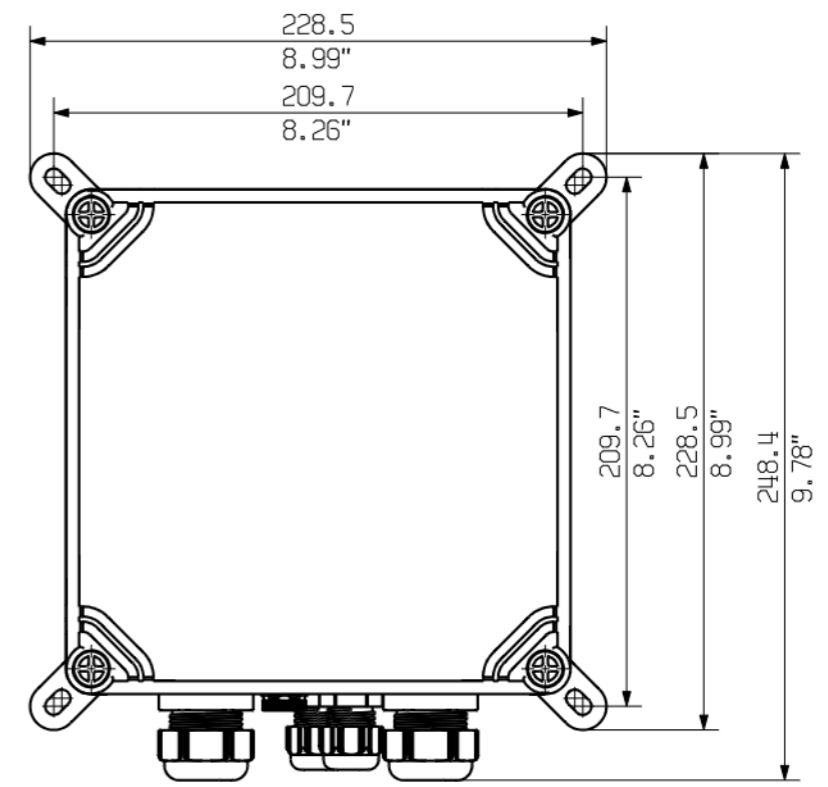
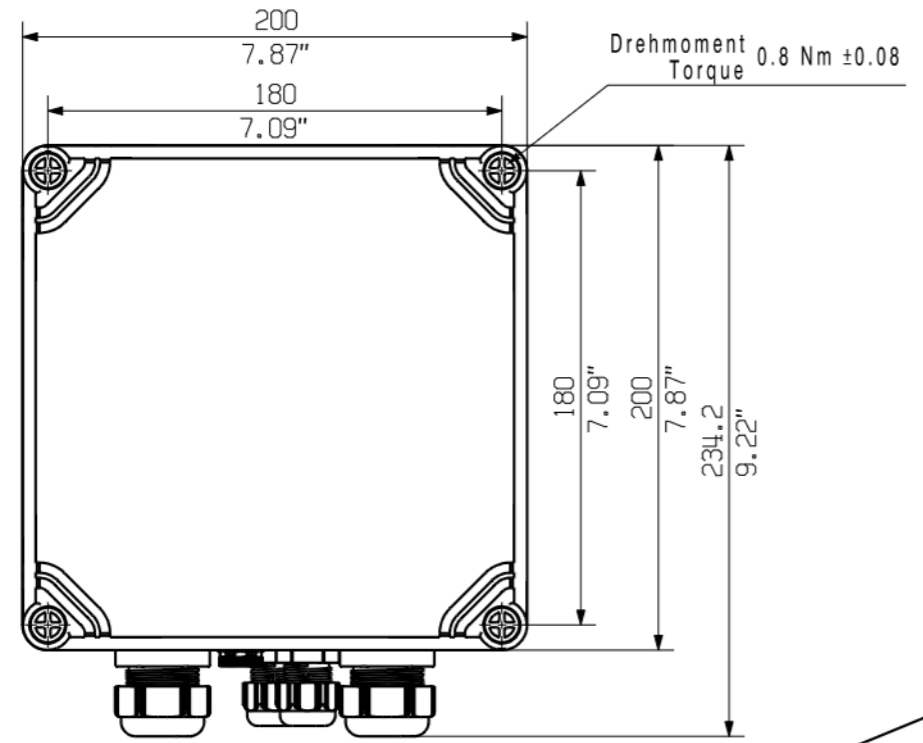
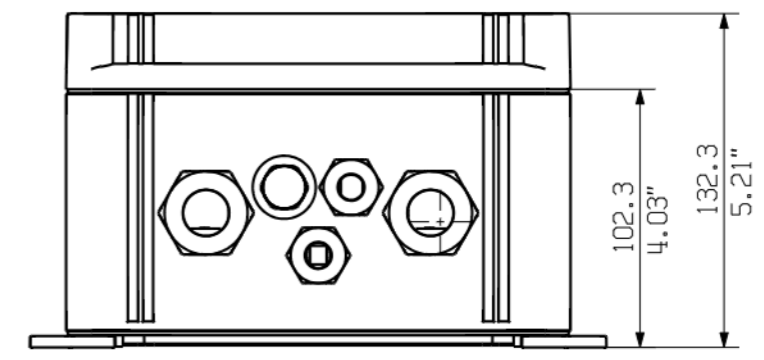
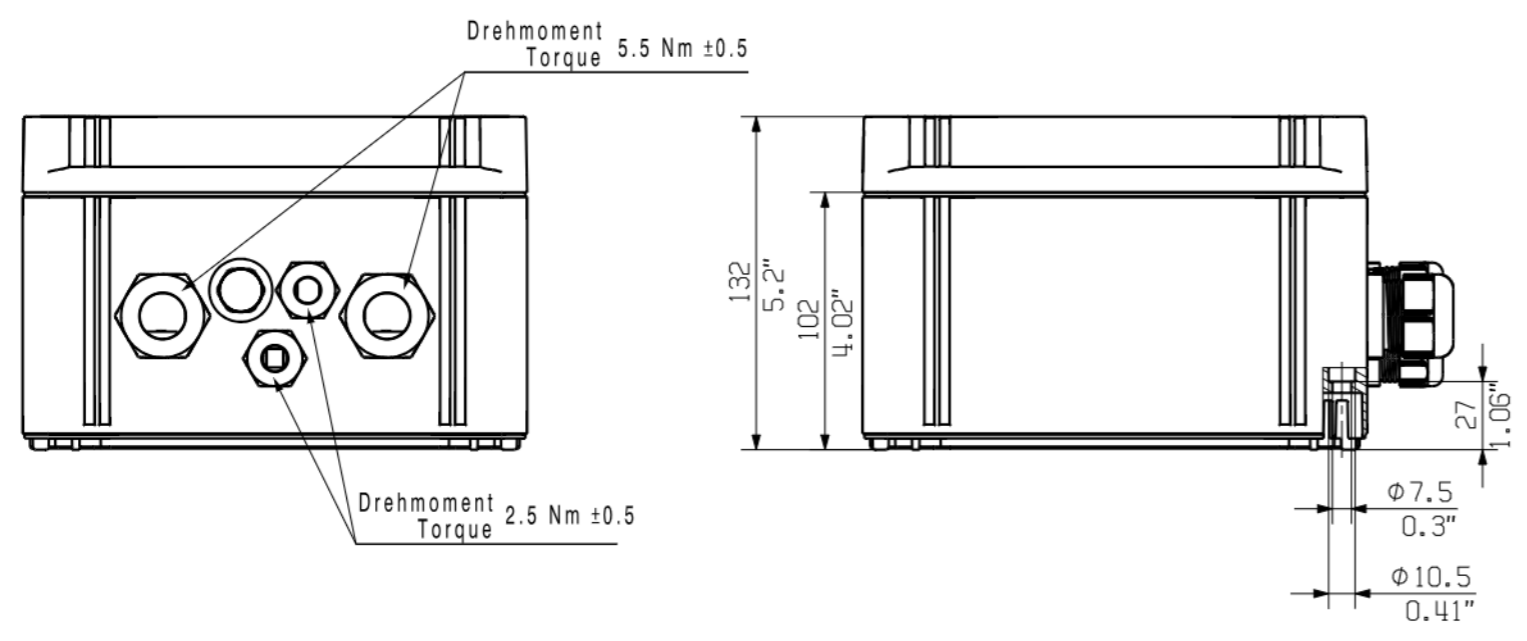



The English version is binding



Darstellung mit Zubehoer  
Shown with accessory 9536040000 MF FPC

The reproduction, distribution and utilization of this document as well as the communication of its contents to others without explicit authorization is prohibited. Offenders will be held liable for the payment of damages. Weidmüller exclusively reserves the right to file for patents, utility models or designs.

© Weidmüller Interface GmbH & Co. KG

General Tolerances: <input type="checkbox"/> WN700144-W.. <input type="checkbox"/> WN 212010 <input type="checkbox"/> ISO 2768-mK		Tolerances ISO 8015	
Changes: EC00008465		0	
Mat. No. (SAP) 2791930000			
Drawings Assembly			
Drawn	Ellrich, Stefan	 <b>74316</b> <span style="border: 1px solid black; border-radius: 50%; padding: 2px;">4</span> <small>Drawing no. Index</small>	
Responsible	Wohlgemuth, Klaus		
Approved	Püschner, Klaus		
06.12.2022		Scale: .:. Sheet 2 / 2	
		<b>2791930000 PVN1M1I2SXFV100TXPX11</b> COMBINERBOX RESIDENTIAL/COMMERCIAL COMBINERBOX RESIDENTIAL/COMMERCIAL	

4

A3