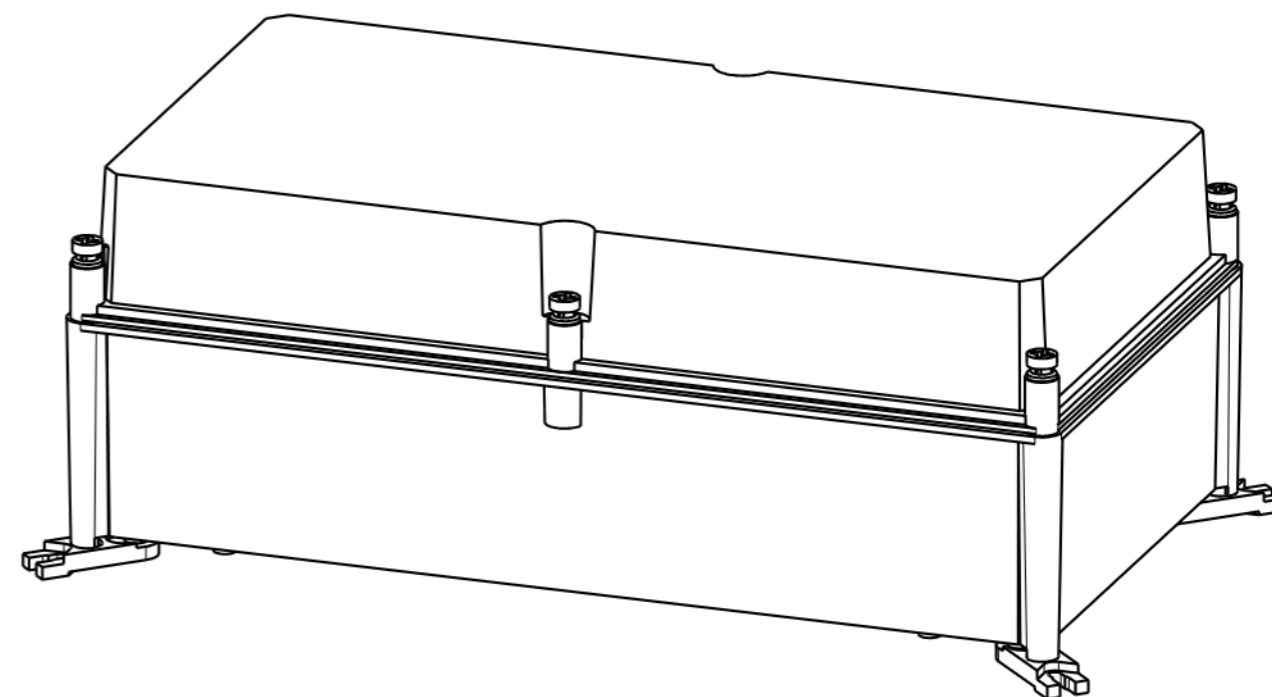
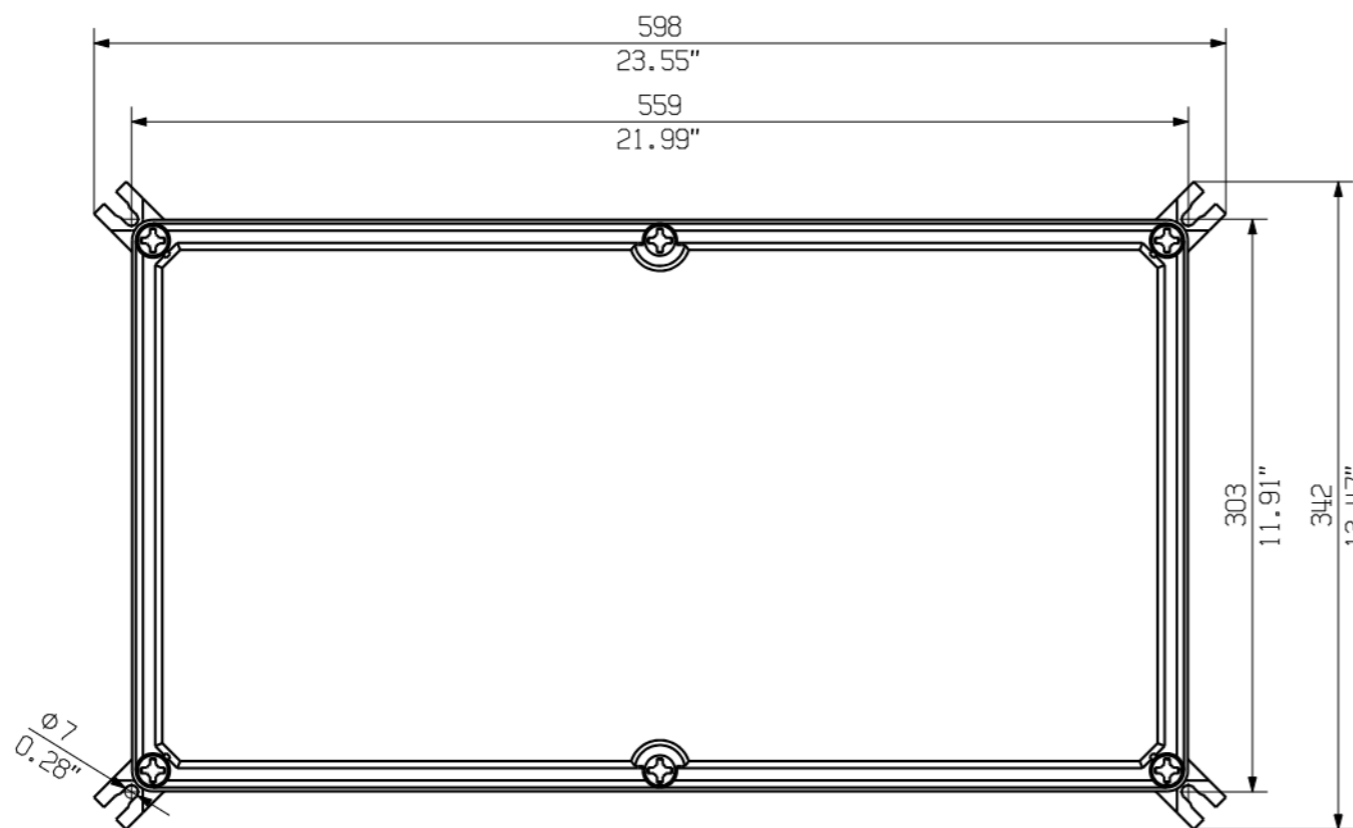
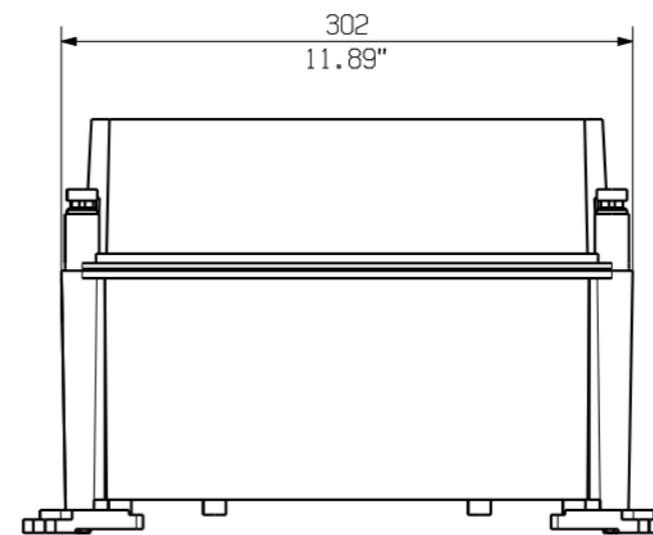
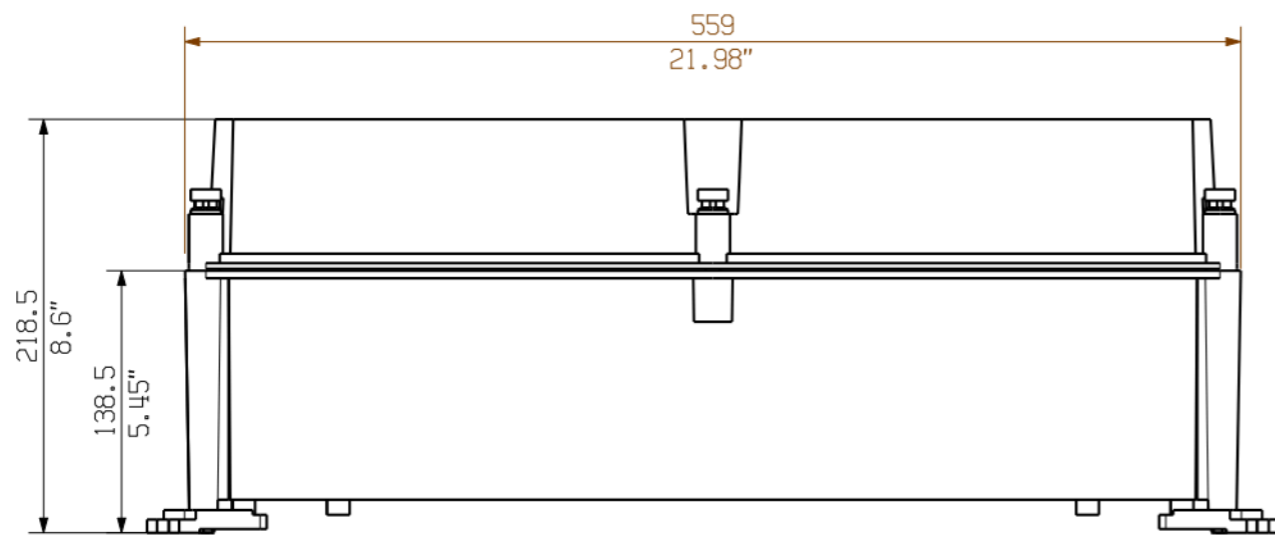


The reproduction, distribution and utilization of this document as well as the communication of its contents to others without explicit authorization is prohibited. Offenders will be held liable for the payment of damages. Weidmüller exclusively reserves the right to file for patents, utility models or designs.

© Weidmüller Interface GmbH & Co. KG

First Issue Date 30.01.2020		Max. nos.		Prim PLM Part No.: 704042		Prim ERP Part No.:	
Modification		Date		Name		71742	
Scale: 1/4		Size: A3		Drawn		Issue no. 0	
Drawings Customer		Approved		Responsible		Sheet 01 of 01 sheets	
Date		Name		Date		Name	
30.01.2020		Brüntrup, Anna		03.02.2020		Püschner, Klau	
Date		Name		PVN1M319SXFV ... COMBINERBOX RESIDENTIAL/COMMERCIAL COMBINERBOX RESIDENTIAL/COMMERCIAL			
Date		Name		Product file:			



Darstellung mit Zubehoer
Shown with accessory 0360800000 MF TBF

Nicht im Lieferumfang enthalten!
Not included in delivery!

First Issue Date 28.01.2020		Max. nos. Modification		Prim PLM Part No.: 1214838		Prim ERP Part No.:	
		Date		Name		Weidmüller	
		Drawn		Responsible		71727 Drawing no. Issue no.	
Scale: 1/4		Size: A3		Date		Sheet 01 of 01 sheets	
Drawings Customer		Approved		Date		Name Brüntrup, Anna Wohlgemuth, Kl Püschner, Klau	
				Product file:			

PVN TBF 563021
 COMBINERBOX RESIDENTIAL/COMMERCIAL
 COMBINERBOX RESIDENTIAL/COMMERCIAL