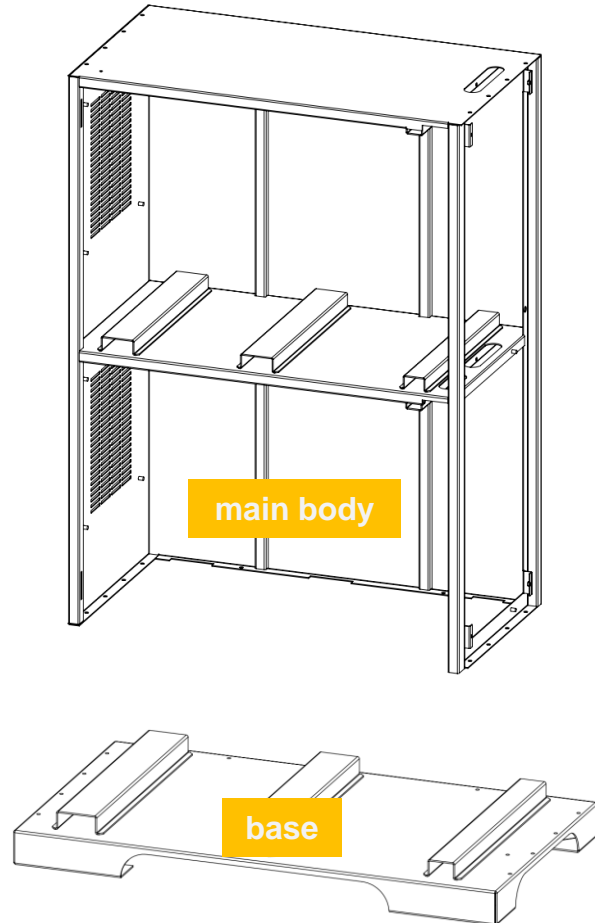


Forest RB installation Guide

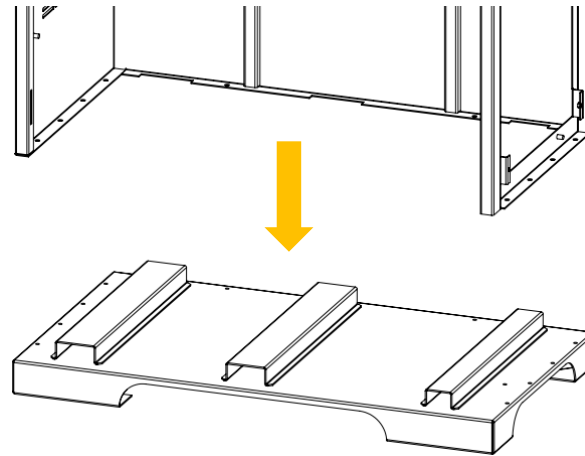


STEP 1 Assemble the main body and the base

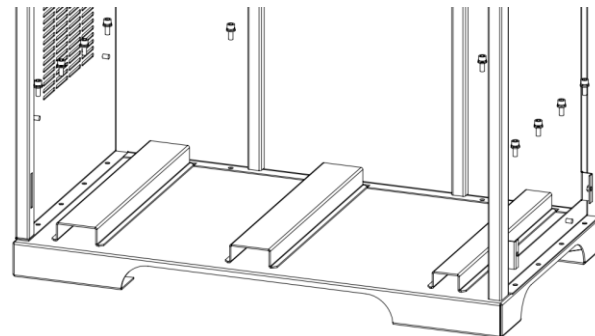
- 1 Prepare the required parts.



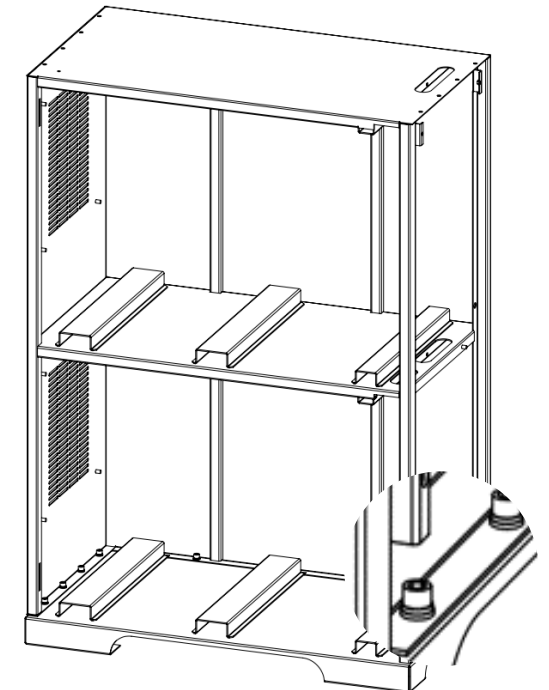
- 2 Install the main body to the base.



- 3 Fix the main body and the base by 10 screws.

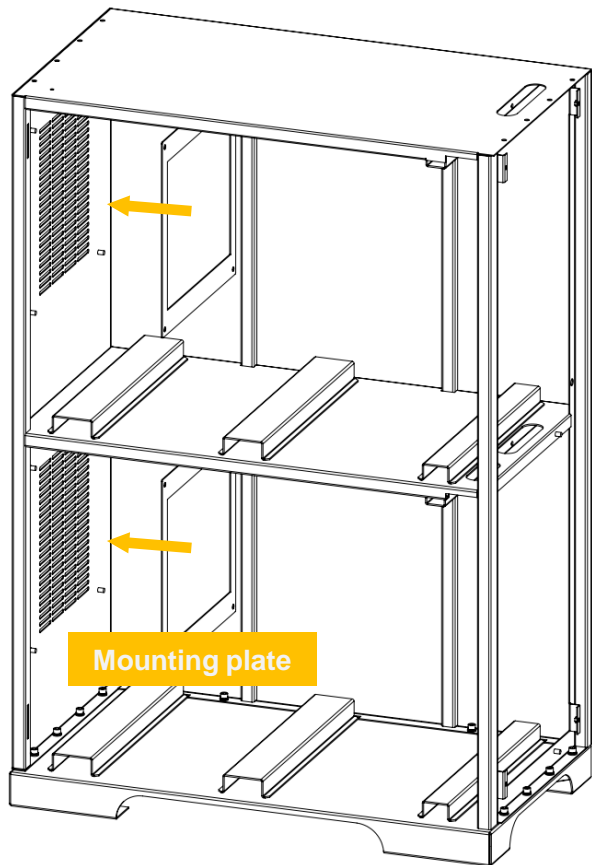


- 4 Tighten the screws.

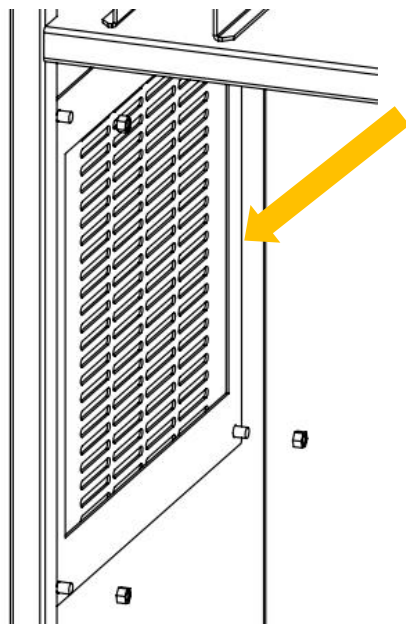


STEP 2 Install the filter

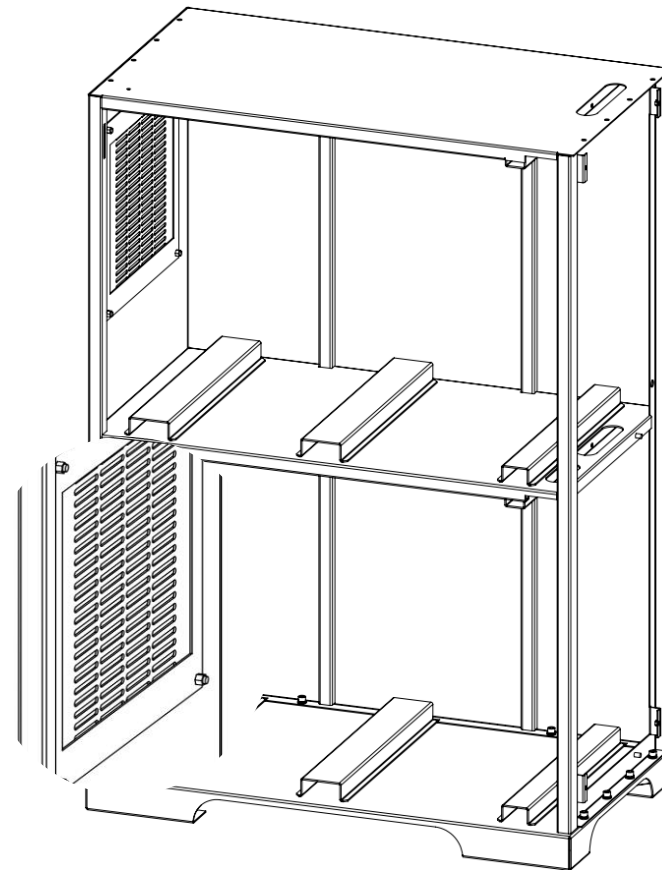
- 1 Attach the mounting plate of filter to the screws on the side of the main body.



- 2 Screw the nuts and insert the filter from the gap between the mounting plate and the main body.

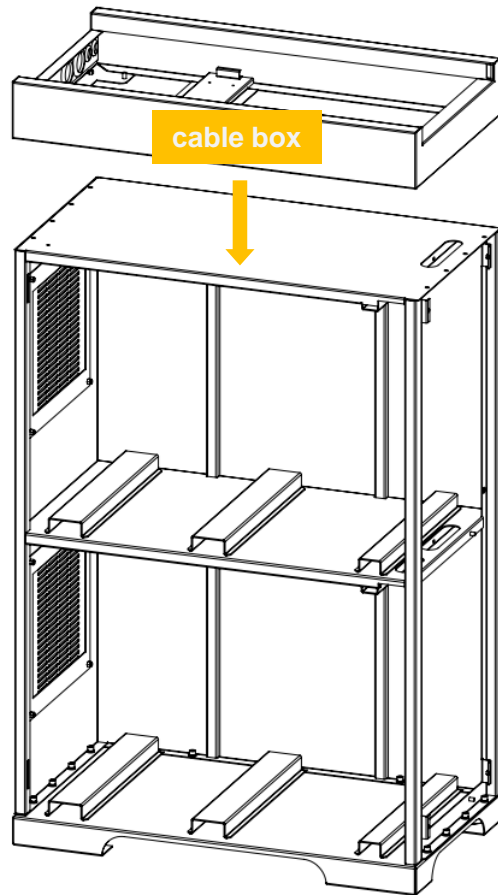


- 3 Tighten the nuts.

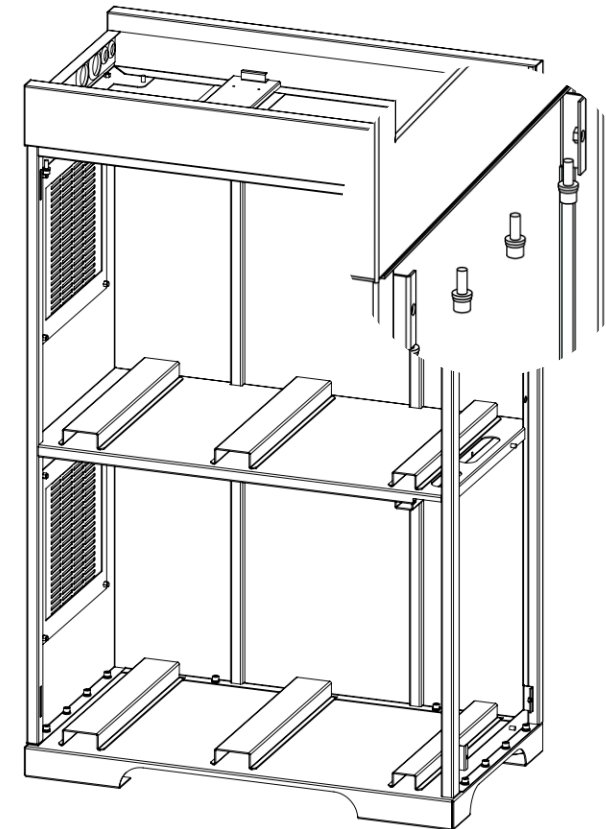


STEP 3 Install the cable box

- 1 Install the cable box to the top of the main body.

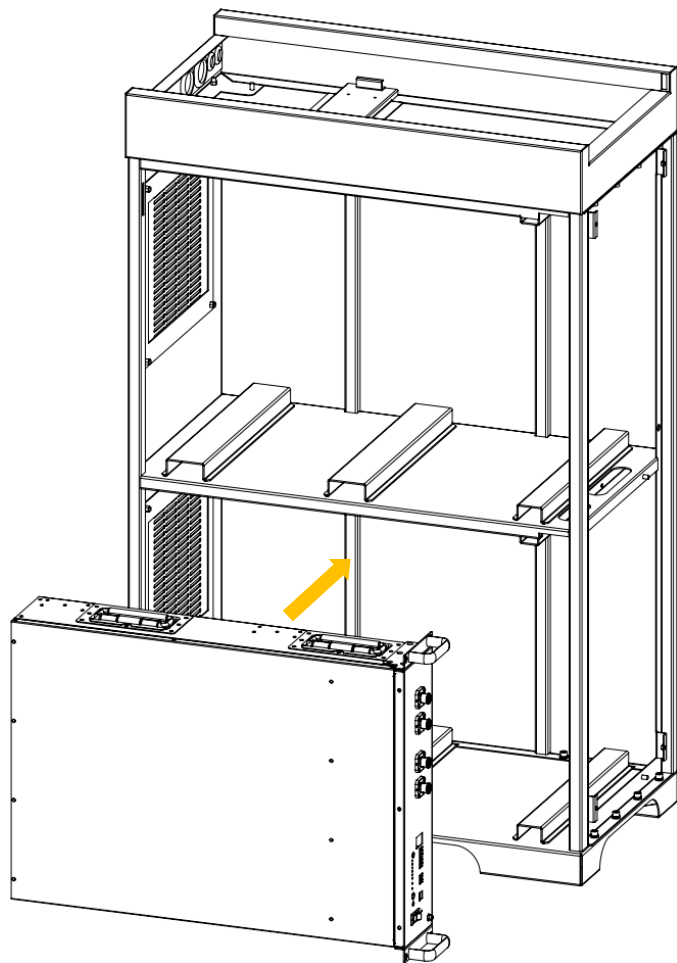


- 2 Tighten the screws.

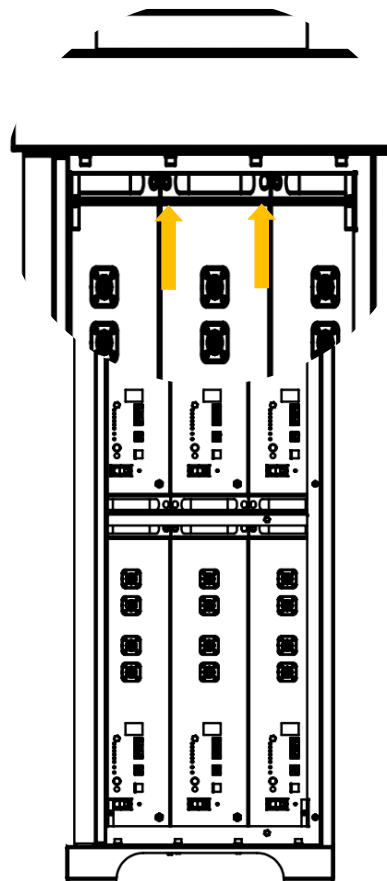


STEP 4 Install the cable box

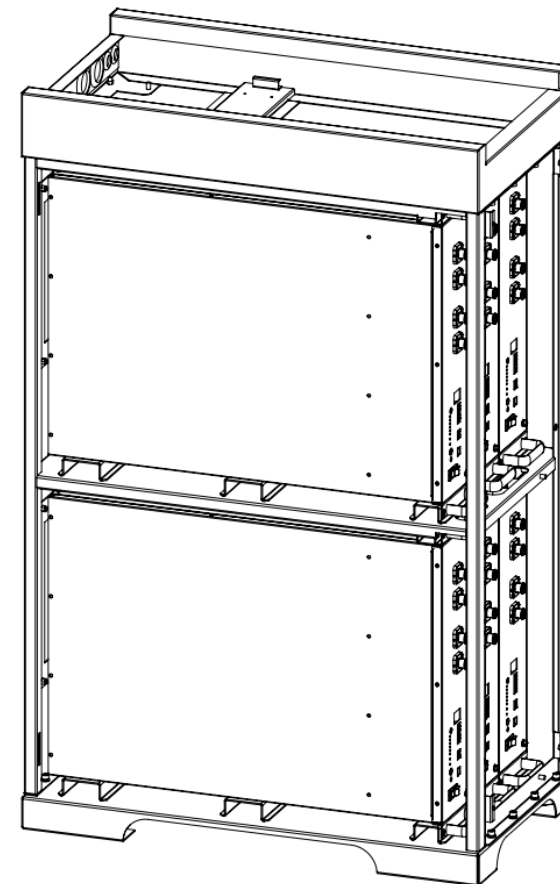
1 Load the batteries into the cabinet from bottom to top.



2 Fix the batteries to the main body with screws.

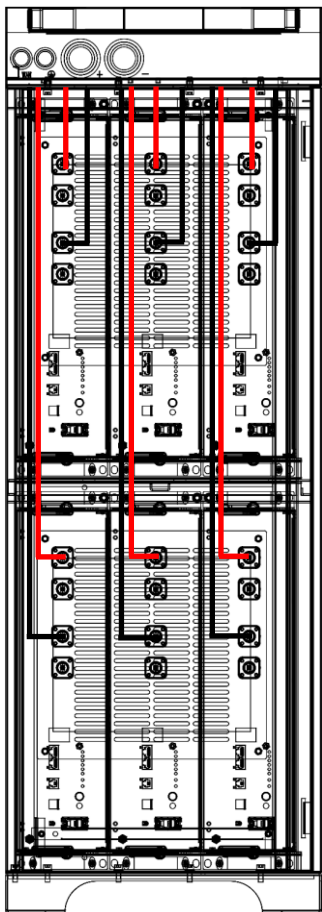


3 Tighten the screws.

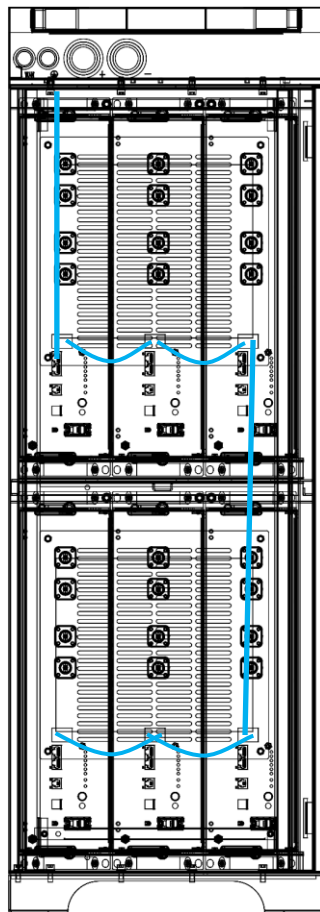


STEP 5 Connect the cables

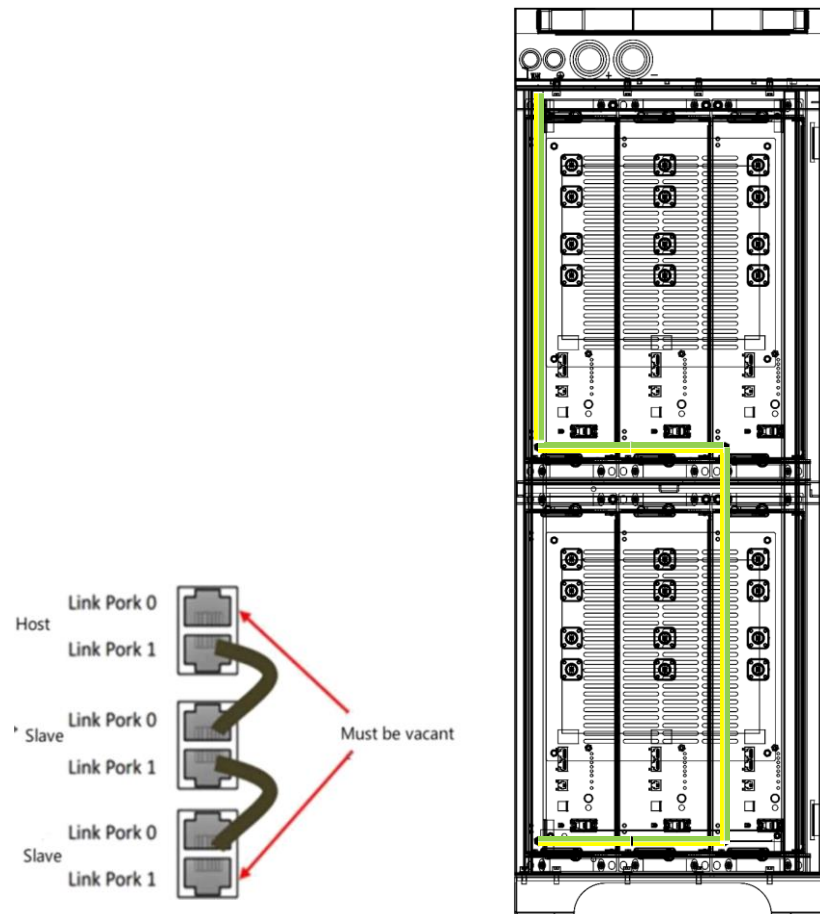
1 Connect the batteries to busbar with power cables.



2 Connect the communication cables between batteries as shown in the pic, and connect the host battery with the battery to inverter com cable.

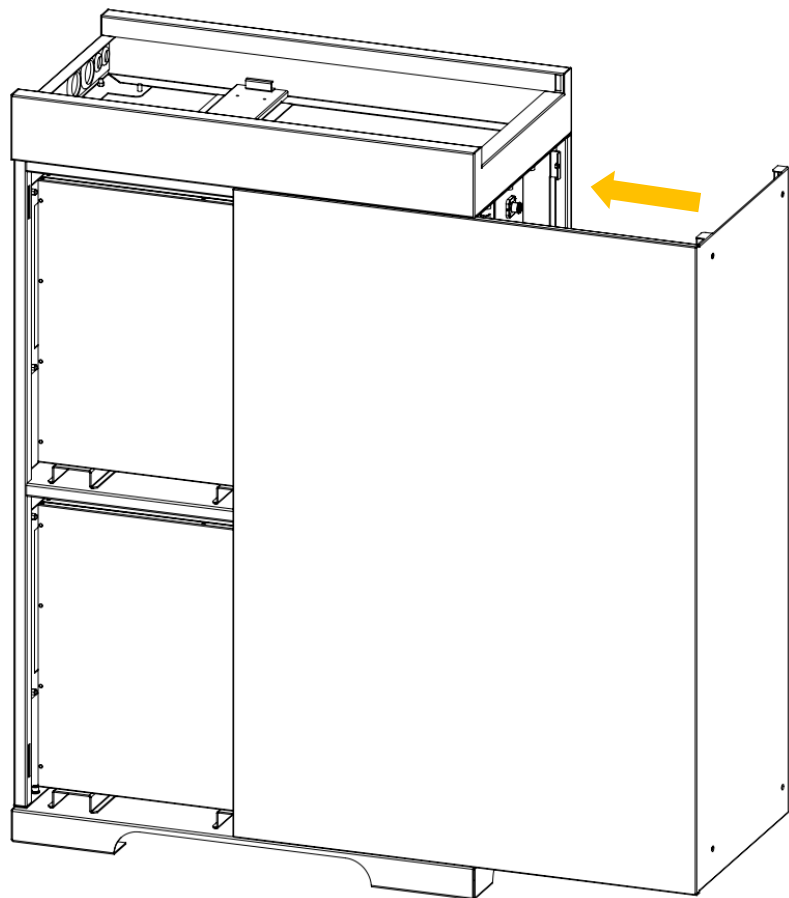


3 Connect the ground wire between the batteries.

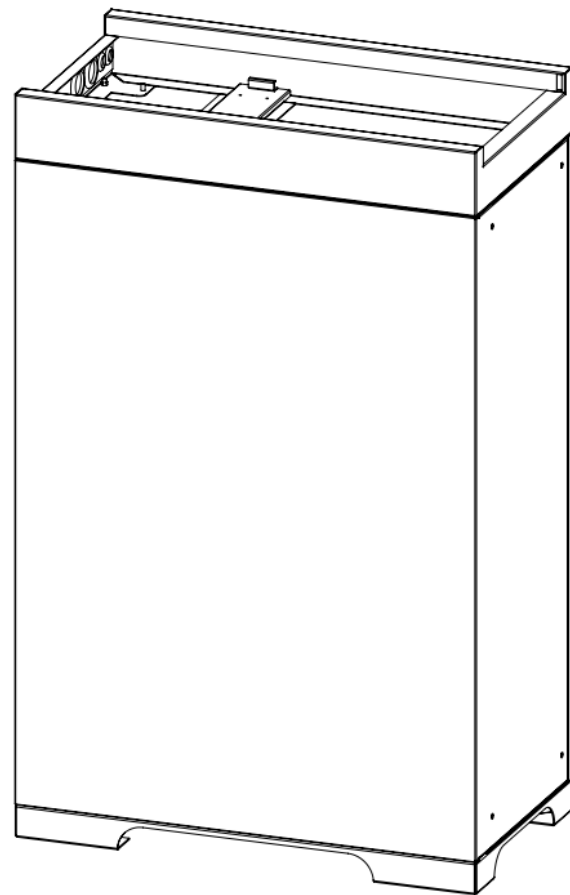


STEP 6 Install the side cover

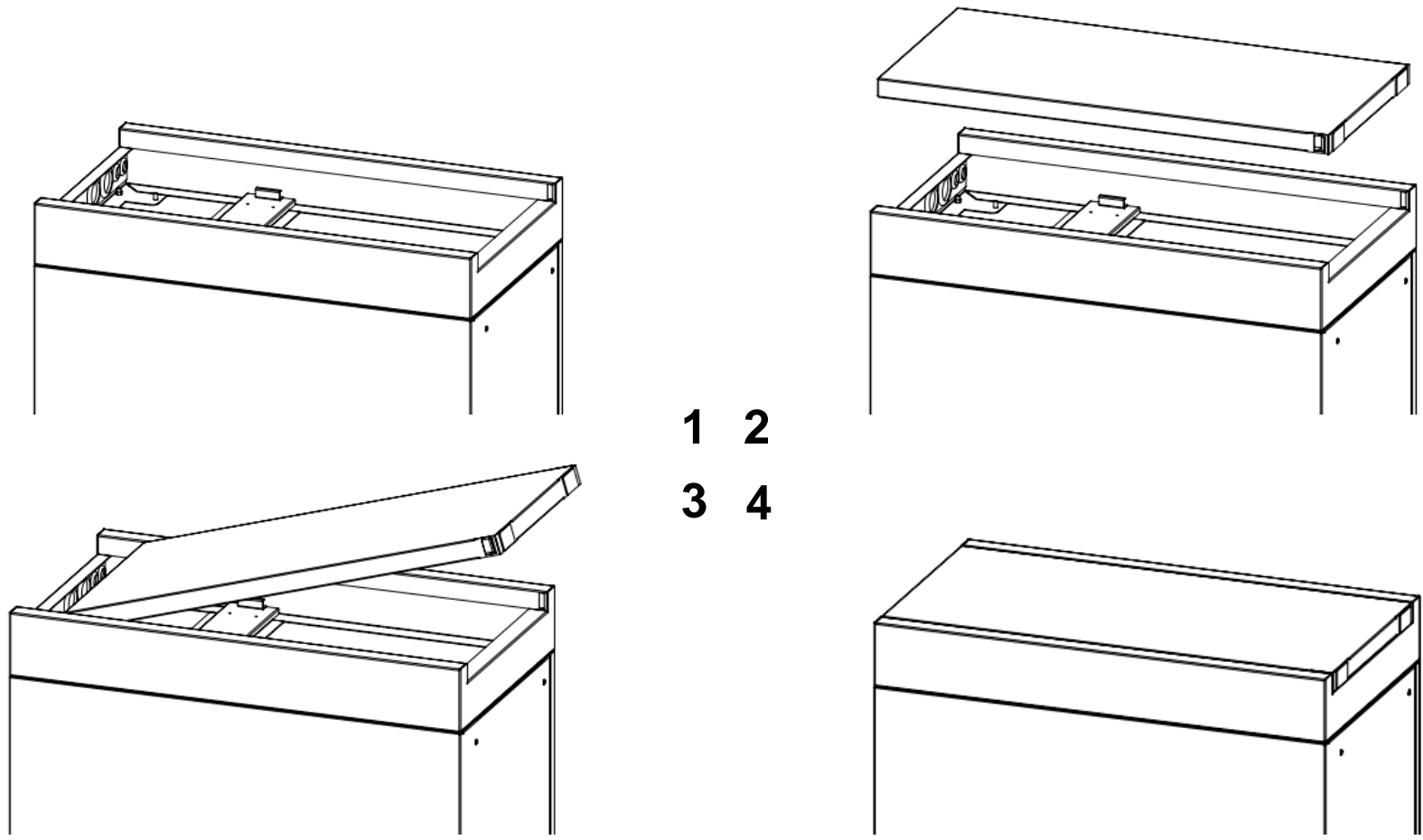
1 Attach the side cover to the main body.



2 Fix the side cover and the main body with screws.



STEP 7 Install the top cover



- 1 Make sure all the cables are connected, and then install the top cover as shown in the pics.

STEP 6 Replace new board

Finish

