

DRINKING WATER STORAGE TANK REQUIREMENTS

To ensure a safe and functional operation of the NEX R-Series, several requirements of the existing hot water storage tank must be met.

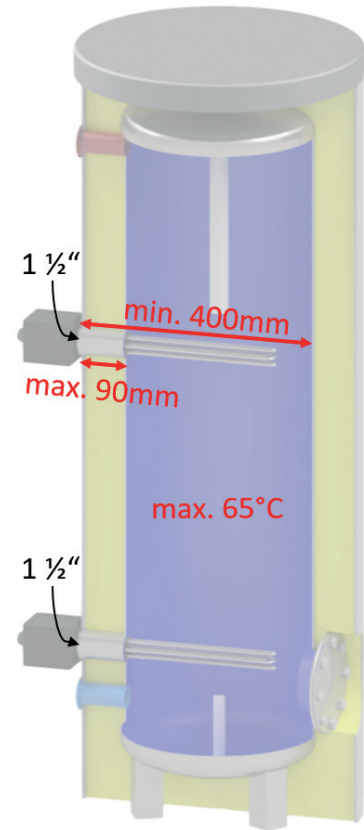
The storage volume must not be less than 100 liters and not exceed 300 liters.

Any other existing systems for hot water generation must not heat the hot water storage tank to over 65°C.

The screw-in sleeve for the screw-in heater must have a 1½" thread.

The screw-in heater has an unheated area of 100mm. Accordingly, the length of the sleeve must not exceed 90mm. Due to the screw-in heater length of 350mm, the screw-in depth must be at least 400mm.

The screw-in heaters must be installed horizontally, otherwise they will be damaged.



Summary of requirements:

Storage Volume	100-300 liters
Maximum storage temperature	65 °C
Sleeve for screw-in heater	1 ½", maximum length 90mm
Minimum screw-in depth	400 mm
Position of the upper sleeve	Upper third of the storage
Position of the lower sleeve	As far down in the storage as possible
Position of the screw-in heater in the tank	horizontal

Hot water for a cool planet!

NEOL
Photovoltaic AG