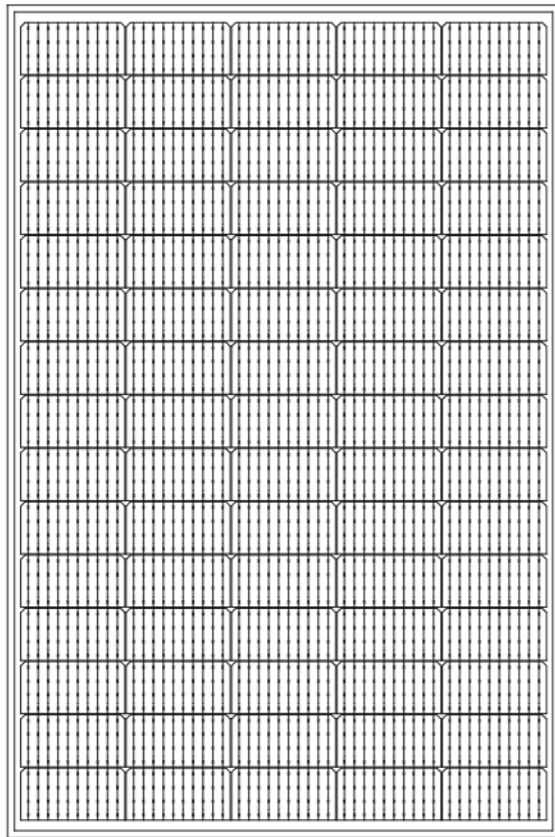


Solar Panel Manual

Model: BFPV-255



For more information, please visit:



@BLUETTI Support
@BLUETTI Official



@bluetti_official



@bluetti.inc



@bluetti_inc



sale-eu@bluettipower.com

EU REP

Company: POWEROAK GmbH
Address: Lise-Meitner-Str. 14 28816
Stuhr Germany
Mail: logi@bluetti.de

UK REP

Company: POWEROAK ENERGY UK CO.,LTD
Address: Unit 2 NorthGate, Bolsover Business Park,
Woodhouse Lane Chesterfield England, S44 6BD
Mail:poweroak.eu@bluetti.com

Customer Service(DE)

Tel: +49 8006273016
Service Hours: Monday to Friday
9:00 - 17:00 (local time)

Customer Service(UK)

Tel: +44 8000472906
Service Hours: Monday to Friday 9:00 - 17:00
(local time)

SHENZHEN POWEROAK NEWENER CO., LTD.

Address: F19, BLD No.1, Kaikdaer, Tongsha Rd No.168,
Xili Street, Nanshan, Shenzhen, China

BFPV-255 255 W Solar Panel

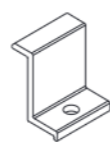
What's in the Box



Solar Panel (Front)



Solar Panel (Rear)



25mm Module
clamp*4



User Manual

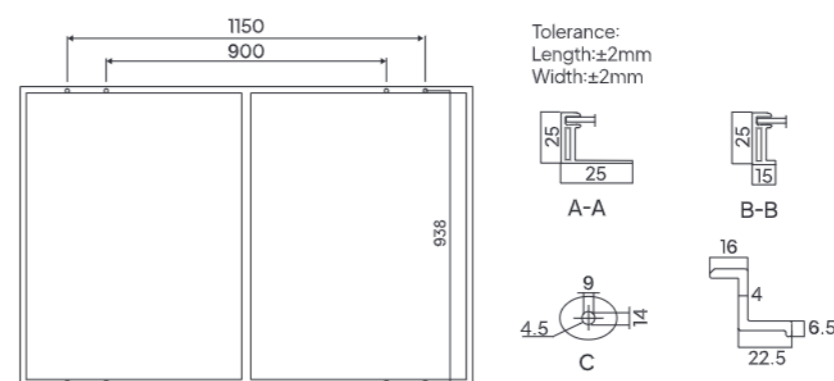
Electrical Parameters at (STC)

Power (W)	255 W
Module Efficiency (%)	21%
Voltage at Pmax (Vmp)	42.4 V
Current at Pmax (Imp)	6 A
Open Circuit Voltage (Voc)	51 V
Short Circuit Current (Isc)	6.39 A
Power Tolerance (W)	±5%
Maximum System Voltage	1500V DC (UL)
Maximum Fuse Current	25 A

Mechanical Parameters

Solar Cell (Type/Size)	Mono(182mm)
Solar Cells Number	75Pcs (5*15)
Dimension	1454*964*25mm
Weight	7.5 KG/Pcs
Frame	Anodized aluminum alloy frame
Cable	4mm ² , +1200mmlength can be customized
Connector	Original MC4/Compatible MC4
Waterproof Junction Box	IP67

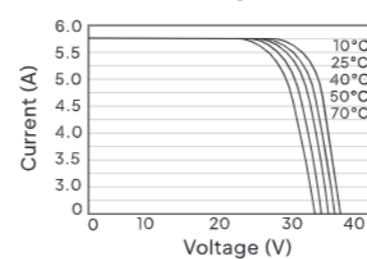
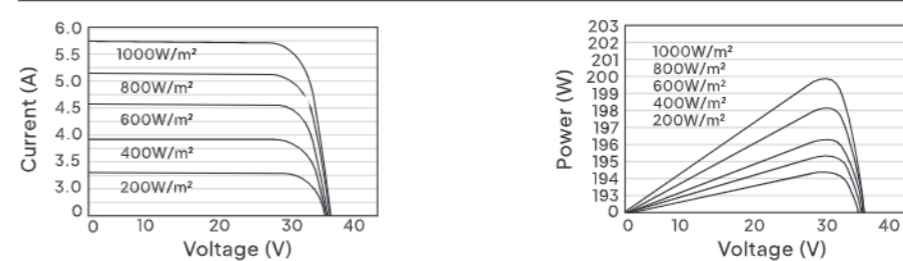
Module Diagram



*Precautions: BASB-01/02 Balcony solar rack pre-assembled module clamp is for use with rigid panel only; for installing flexible solar panel, replace it with 25mm module clamp. Package includes 4pcs 25mm module clamps.

*Vorsichtsmaßnahmen: BASB-01/02 Balkon Solar Rack vormontierte Modulklemme ist für den Einsatz mit starren Panel nur; für die Installation von flexiblen Solarpanel, ersetzen Sie es mit 25mm Modulklemme. Das Paket enthält 4 Stück 25mm Modulklemmen.

Electrical Performance



*All specifications and data described in this data sheet are tested under Standard Test Conditions (STC- Irradiance: 1000W/m², Temperature: 25°C, Air Mass: 1.5) and may deviate marginally from actual values. The Company reserves the right to make any changes to this data sheet without prior notice.